

# LANCER



18" Stainless Steel  
Dispensing Tower  
Island Base



23" Stainless Steel  
Dispensing Tower  
Island Base



7" Two Valve  
Dispensing Tower  
Island Base



7" Single Valve  
Dispensing Tower  
Island Base

# TOWER 300

## SPECIFICATIONS

### GENERAL SPECIFICATIONS

**KEY LOCK SWITCH** with LEV® valves

**VALVES** standard LEV®

**VALVES ARE CAPABLE**  
of fast flow (3 oz per second) or  
standard flow (1.5 oz per second)

**POWER SUPPLY INCLUDED**

### 18" TOWER ISLAND BASE DIMENSIONS

Width: 18.5" (470 mm)  
Depth: 10.5" (267 mm)  
Height: 16" (406 mm)

**ELECTRICAL** 24VAC valves,

**SHIPPING WEIGHT**  
Approximately 38 lbs (17 kg)

**FITTINGS**  
Syrup and soda inlet: 3/8" barb

### 23" TOWER ISLAND BASE DIMENSIONS

Width: 23.5" (597 mm)  
Depth: 13.75" (349 mm)  
Height: 16" (406 mm)

**ELECTRICAL** 24VAC valves

**SHIPPING WEIGHT**  
Approximately 42 lbs (19.05 kg)

**FITTINGS**  
Syrup and soda inlet: 3/8" barb

### SINGLE VALVE TOWER ISLAND BASE DIMENSIONS

Width: 7.5" (191 mm)  
Depth: 9.25" (235 mm)  
Height: 16.5" (419 mm)

**ELECTRICAL** 24VAC valves

**SHIPPING WEIGHT**  
Approximately 15 lbs (7 kg)

### DOUBLE VALVE TOWER ISLAND BASE DIMENSIONS

Width: 7.5" (191 mm)  
Depth: 9.25" (235 mm)  
Height: 16.5" (419 mm)

**ELECTRICAL** 24VAC valves

**SHIPPING WEIGHT**  
Approximately 15 lbs (7 kg)

**Warranty:** For warranty specifics by product,  
contact your Lancer Sales Representatives.



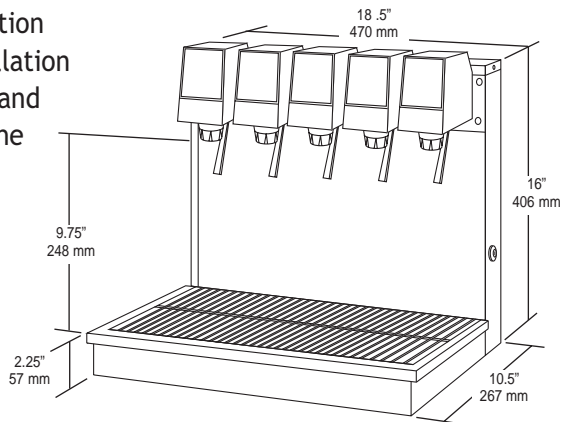
Equipment design and/or specifications may change without notice.

**CORPORATE OFFICE** 6655 Lancer Blvd • San Antonio, TX 78219 • 210-310-7000 • 1-800-729-1500 • FAX 210-310-7250 • www.lancercorp.com  
"Lancer" is the registered trademark of Lancer Corporation • Copyright—2003 by Lancer, all rights reserved. "Coca-Cola" is a registered trademark of The Coca-Cola Company.

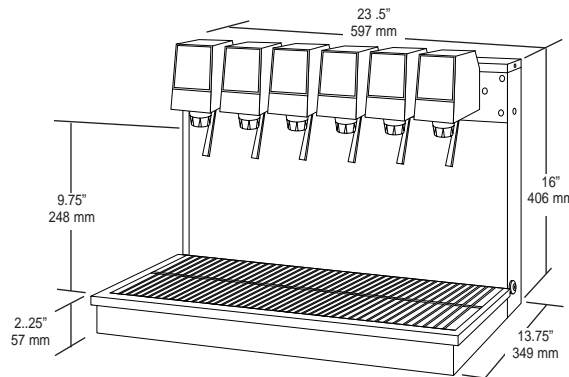
38-0300-SS 3/03

### 18", 23", 7" Single And Two Valve Island Based Towers

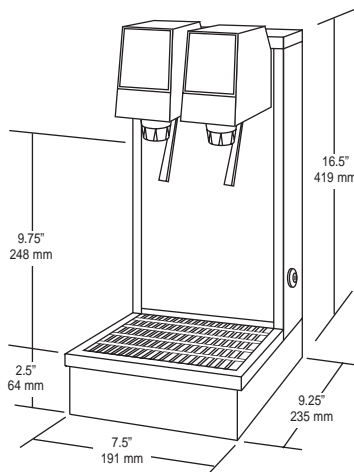
- Island base dispensing towers
- Stainless steel construction
- Designed for easy installation
- Optional merchandiser and marquee available on the 18" and 23" towers



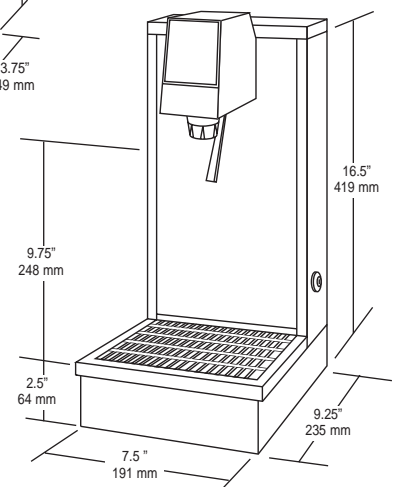
18" Stainless Steel  
Dispensing Tower  
Island Base



23" Stainless Steel  
Dispensing Tower  
Island Base



7" Two Valve  
Dispensing Tower  
Island Base



7" Single Valve  
Dispensing Tower  
Island Base

# LANCER®