

LANCER



Optional Lighted Marquee

High Performance Dispenser

CED 2500

SPECIFICATIONS

DIMENSIONS

Width: 26 in (660 mm)
 Depth: 27 1/8 in (689 mm)
 Height: 31 1/4 in (794 mm)

ELECTRICAL

115V, 60Hz, 12 A
 Optional 230V, 50Hz, or
 220V, 60Hz, 7.5 A
 UL grounded cord and plug

WEIGHT

Shipping: 300 lbs (136 kg)
 Counter, with water: 479 lbs (217 kg)
 Ice bank: 55 lbs (25 kg)

FITTINGS

Stainless steel, labeled inlet
 syrup and water: 3/8" barb

COMPRESSOR 3/4 Hp

MOTORS

Agitator: 25 W
 Condenser fan: 35 W

ICE BANK CONTROL

Lancer Electronic Ice Bank Control

TRANSFORMER 24VAC Secondary

VALVES LEV® standard

WATER BATH CAPACITY 21 gallons

REFRIGERATION CAPACITY

When supplied with 75° F (24° C) incoming water, 75° F (24° C) syrup and with room temperature at 75° F (24° C), the unit will dispense an indefinite amount of twelve ounce drinks at a temperature of 40° F (4.5° C) or below, drawn at a rate of 2 drinks per minute. Full recovery of ice bank requires about 2.5 hours.

FLEX MANIFOLD CONFIGURATION

6 LEV® 3-2-1 with plain water option on 3, 4, & 5

8 LEV® 3-1-1-3 with plain water option on 4 & 5

Warranty: For warranty specifics by product, contact your Lancer Sales Representatives.

2500—High Performance

- 3/4 hp, 55 lb ice bank, flooded manifold
- Stainless steel cabinet, water bath, product lines, and drip tray assembly; removable refrigeration deck
- Insulation is CFC-free structural foam
- Flex manifold configuration for multiple non-carbonated drinks
- Available with 6 or 8 post-mix dispensing valves
- CFC-free R134A refrigerant
- Optional lighted marquee kit and leg kit

DRAW PERFORMANCE

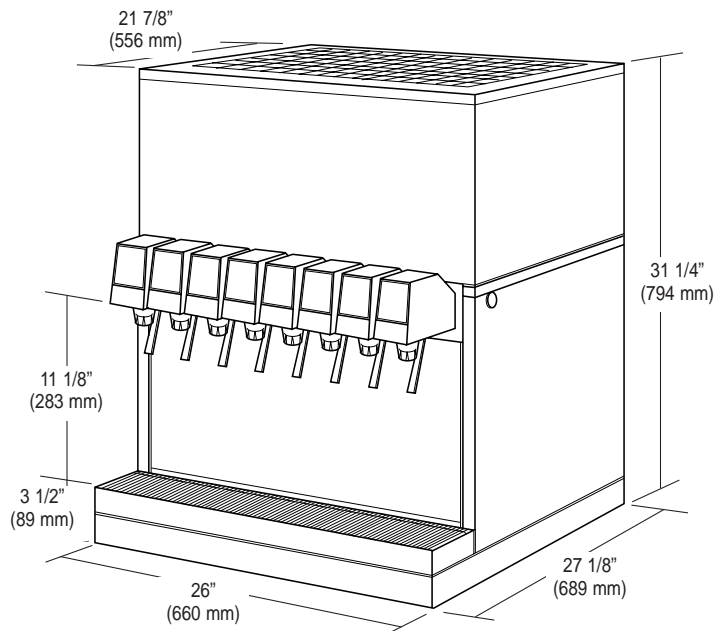
Number of Drinks Below 40° F (4.5° C)

75° F (24° C) Ambient Temperature

2-12 oz/min: indefinite
 4-12 oz/min: 538

90° F (32° C) Ambient Temperature

2-12 oz/min: 308
 4-12 oz/min: 156



LANCER®

Equipment design and/or specifications may change without notice.

CORPORATE OFFICE 6655 Lancer Blvd • San Antonio, TX 78219 • 210-310-7000 • 1-800-729-1500 • FAX 210-310-7250 • www.lancercorp.com
 "Lancer" is the registered trademark of Lancer Corporation • Copyright—2003 by Lancer, all rights reserved. "Coca-Cola" is a registered trademark of The Coca-Cola Company

38-2500-HI 03/03