

# LANCER®



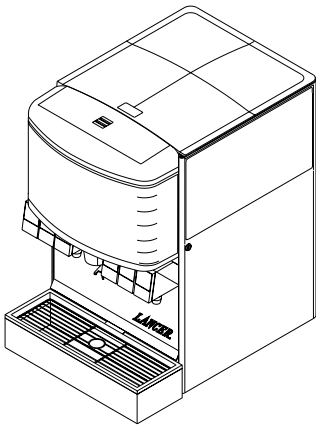
6 Valve—22” Wide Dispenser

**IBD 4500**

## BRAND MERCHANDISING AND ID

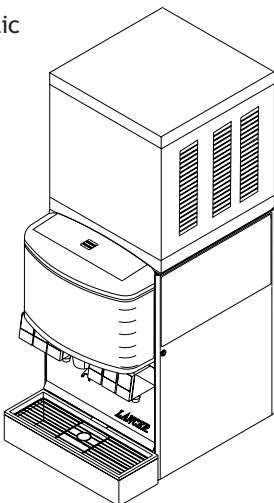
### ICE COMBO DISPENSER

- 22" wide, 6 *LEV*<sup>®</sup>, lever or push button
- Low ice sensing is standard with visual indicator
- Ice capacity of 180 lbs with 150 lbs dispensable
- Illuminated interchangeable front graphics
- On-site choice of lever or push ice dispensing
- High performance 3-2-1 flex manifold configuration
- Hard plumbed syrup and water lines



### ICE MAKER COMPATIBILITY

- Accepts 22" wide ice makers
- Manual front load when ice maker installed
- Variable automatic agitation timer
- Stainless steel wrapper
- Stainless steel inner liner
- Large capacity drip tray



### Ice Dispensing

- Ice maker compatibility
- Manual ice fill capability

### Illuminated interchangeable graphics

- Standard - fluorescent, 15 watt light blub
- Coca-Cola side and back graphics

### 22" wide, 6 valve Push or Lever ice dispensing versatility

- Multiple non-carbonated drink capabilities

### Front Serviceability

- Hard plumbed syrup and water lines
- Drive shaft motor accessible

### DRAW PERFORMANCE

Number of Drinks Below 40°F

#### 75°F (24°C) Ambient Temperature

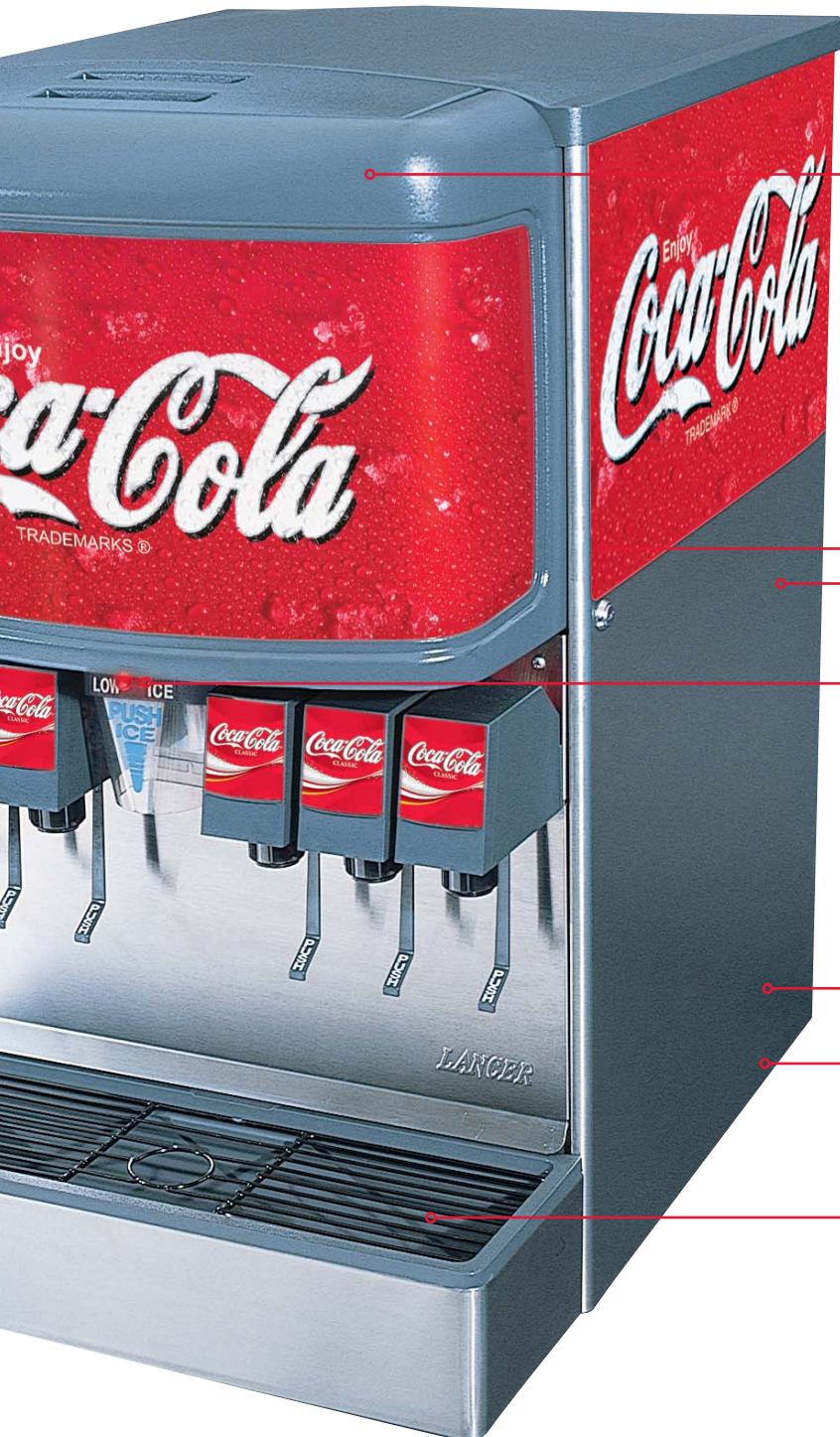
12 oz./12 drinks per minute  
24 oz./6 drinks per minute

#### 90°F (32°C) Ambient Temperature

12 oz./8 drinks per minute  
24 oz./4 drinks per minute

*Units can supply drinks under 40°F at rated draw performance continuously as long as ice is kept on cold plate.*





- Resettable Transformers  
Solid State Control**
- Controls low ice sensing
  - Diagnostic LED
  - Customer control of auto agitation
  - Front serviceability

**Standard valve key lock**

**Insulation**  
1 1/4" CFC - free insulation

**Low ice sensing is standard with visual indicator**

- Adjustable ice dispense rate
- Smooth and even ice dispensing flow
- 180 lbs ice capacity with 150 lbs dispensable
- Ice link compatible

**Removable wrapper**

**Stainless steel construction**

- Stainless steel bin liner

**Large capacity drip tray**

## SPECIFICATIONS

### DIMENSIONS

Width: 22 in (559 mm)  
Depth: 30.5 in (775 mm)  
Height: 34 in (864 mm)

**ELECTRICAL** 115V electrical system  
(230V 50/60Hz available)

**SPACE REQUIRED** 22.5 in x 31 in  
(572 mm x 787 mm)

### WEIGHT

Shipping: Approximately  
255 lbs (116 kg)  
Counter, with ice:  
405 lbs (184 kg)

### ICE

Dispensable: 150 lbs (68 kg)  
Capacity: 180 lbs (82 kg)

### FITTINGS

Syrup and soda inlets:  
3/8" male barb

### KEY LOCK SWITCH

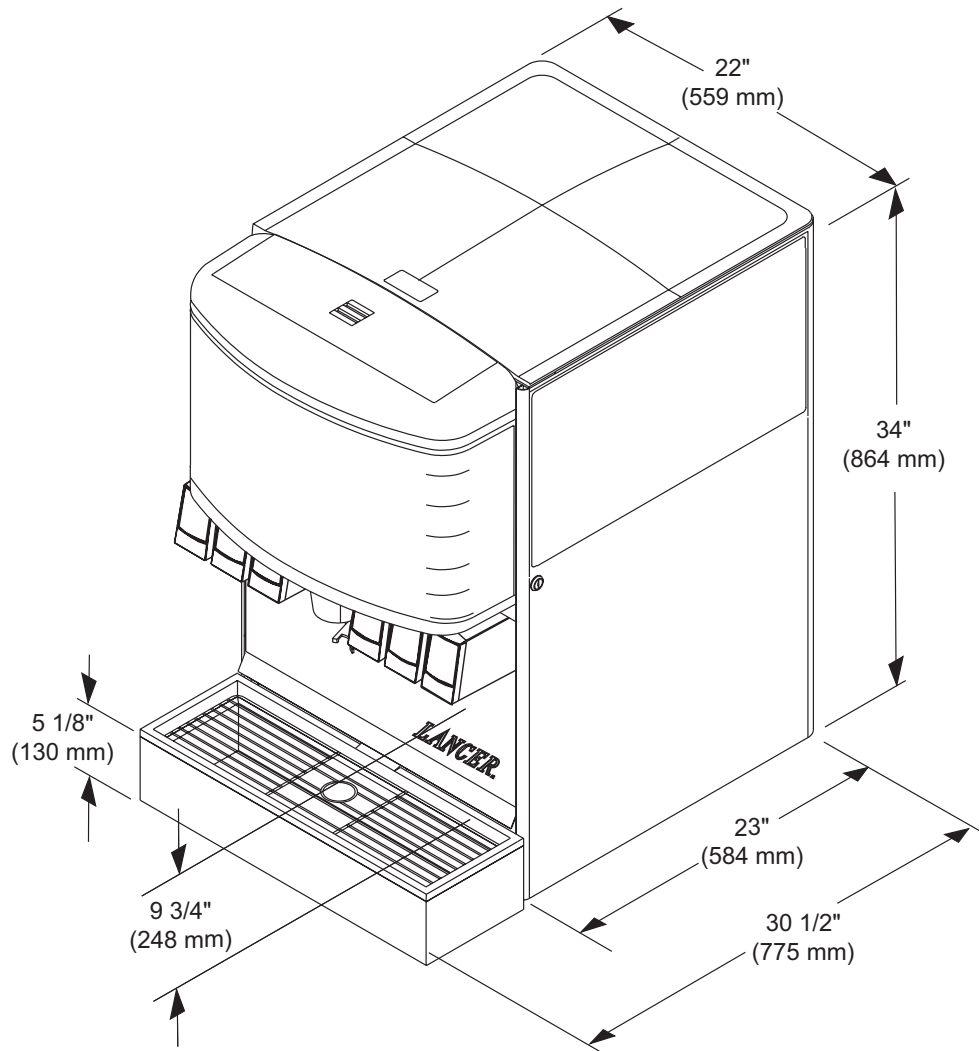
**VALVES** LEV® fast-flow  
other valves available upon request

**FLEX MANIFOLD CONFIGURATIONS**  
3-2-1; High performance

**Warranty:** For warranty specifics by product,  
contact your Lancer Sales Representatives.



### 6 valve—22" wide Coca-Cola dispenser



# LANCER®

Equipment design and/or specifications may change without notice.

**CORPORATE OFFICE** 6655 Lancer Blvd • San Antonio, TX 78219 • 210-310-7000 • 1-800-729-1500 • FAX 210-310-7250 • www.lancercorp.com  
"Lancer" is the registered trademark of Lancer Corporation • Copyright—2003 by Lancer, all rights reserved. "Coca-Cola" is a registered trademark of The Coca-Cola Company.

38-4522-C 4/03