

LANCER®

DISTRIBUTED BY:

Series 4500

ICE BEVERAGE DISPENSER

SPECIFICATIONS

Shipping weight: approximately 255 lbs (116 kg)
Counter weight without ice: 225 lbs (102 kg)
Dispensable ice capacity: 150 lbs (68 kg)
Total ice capacity: 180 lbs (82 kg)
115V electrical system (230V 50/60 Hz available)
Key lock switch for dispensing valves
3-2-1 Flex Manifold Configuration
Soda Fittings: 3/8" male barb

DRAW PERFORMANCE

Number of Drinks Below 40°F (4.5°C)

75°F (24°C) ambient Temperature

12 oz. /12 drinks per minute

24 oz. /6 drinks per minute

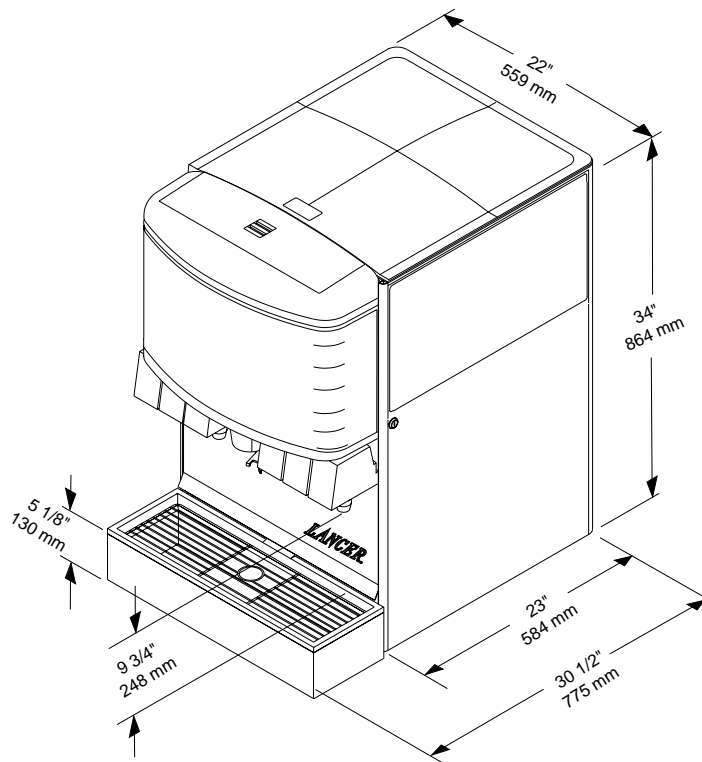
90°F (32°C) ambient Temperature

12 oz. /8 drinks per minute

24 oz. /4 drinks per minute

Unit can supply drinks under 40°F at rated draw performance continuously as long as ice is kept on cold plate.

Warranty: For warranty specifics by product, contact your Lancer Sales Representative.



Equipment design and/or specifications may change without notice.

LANCER®

Series 4500 ICE BEVERAGE DISPENSER



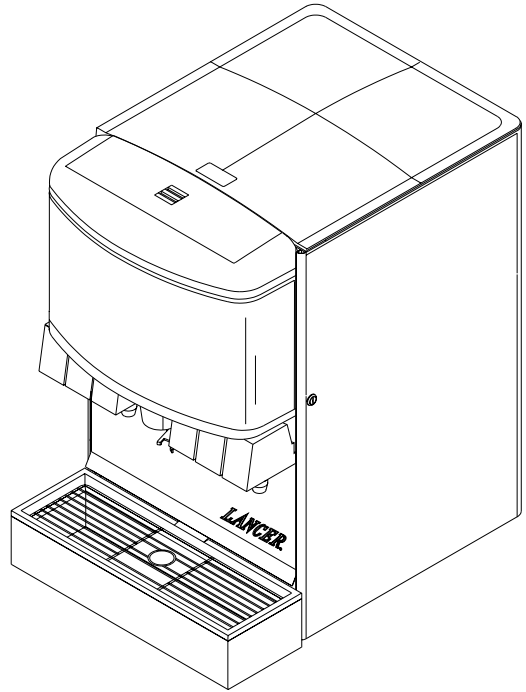
- 22" Wide (Counter Space Saver)
- Illuminated Interchangeable Graphics
- Front Serviceability
- Variable Ice Agitation is Standard
- Adjustable Ice Dispense Rate
- Push and Lever Ice Dispensing Versatility
- Stainless Steel Construction
- Multiple Non-Carbonated Drink Capabilities
- Low Ice Sensing is standard with Visual Indicator
- Smooth and even Ice Dispensing flow
- 180 lbs. Ice Capacity with 150 lbs. Dispensable



Ice Beverage Dispenser Versatility

Ice Combo Dispenser

- 22" wide, 6 valves, Lever or Pushbutton
- Low Ice Sensing is standard with Visual Indicator
- Ice Capacity of 180 lbs. with 150 lbs. dispensable
- Illuminated Interchangeable Front Graphics
- On-site choice of Lever or Push Ice Dispensing
- High Performance 3-1-2 Flex Manifold Configuration
- Hard Plumbed Syrup and Water Lines



Ice Maker Compatibility

- Accepts 22" wide Ice Makers
- Manual Front Load when Ice Maker installed
- Variable Automatic Agitation Timer
- Stainless Steel Wrapper
- Stainless Steel Inner Liner
- Large Capacity Drip Tray

