

LANCER



Optional Marquee



Optional Merchandiser



Splash Guards

Standard Performance Drop-In Dispenser

ICD 2300

SPECIFICATIONS

DIMENSIONS

Width: 23 in (584 mm)
 Depth: 23 in (584 mm)
 Height: 36.25 in (921 mm)

ELECTRICAL 24VAC electrical system supplied using 115V transformer provided with dispenser (230V, 50/60Hz available)

SPACE REQUIRED Counter cut out for 23 x 23 is 23 1/4" x 23 1/4" (591 mm x 591 mm)

SHIPPING WEIGHT

Approximately 260 lbs (118 kg)

ICE CAPACITY 100 lbs (45 kg)

FITTINGS

Syrup and soda inlet: 3/8" male barb

KEY LOCK SWITCH

VALVES LEV®

MANIFOLD CONFIGURATIONS

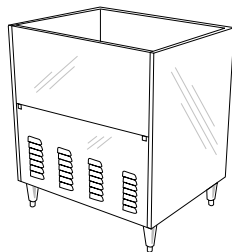
Standard Performance Soft Plumb:
 8 Valve 5-2-1

Warranty: For warranty specifics by product, contact your Lancer Sales Representatives.



CONVERSION STAND FOR 23" X 23"

- All stainless steel construction
- Front access panel
- 6" (152 mm) adjustable legs
- Allows quick and easy conversion from drop-in to free-standing unit
- Shipping weight: approximately 80 lbs (36 kg)



2300—23" x 23" Standard Performance

- Available with 8 valves in post-mix
- 100 lbs. ice capacity
- Stainless steel construction with sealed-in cold plate
- 3/4" drain with strainer to prevent ice blockage
- Stainless steel flooded soda manifold and multiple plain water configurations
- Ice bin and tower manifold insulated with CFC free structural foam
- Tower designed with removable splash plate for easy access to components
- Lighted graphics for maximum impact
- Dispenser can accommodate any number of non-carbonated drinks
- Optional top merchandiser, back marquee feature and splash guards

DRAW PERFORMANCE

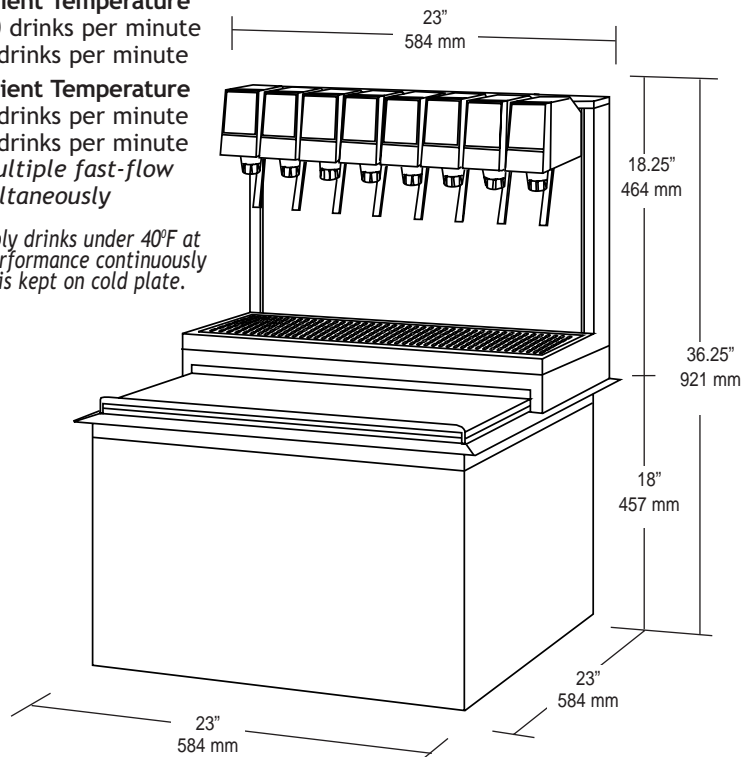
Standard Performance Cold Plate

75°F Ambient Temperature
 12 oz./10 drinks per minute
 24 oz./7 drinks per minute

90°F Ambient Temperature
 12 oz./8 drinks per minute
 24 oz./5 drinks per minute

Supports Multiple fast-flow valves simultaneously

Units can supply drinks under 40°F at rated draw performance continuously as long as ice is kept on cold plate.



LANCER®

Equipment design and/or specifications may change without notice.

CORPORATE OFFICE 6655 Lancer Blvd • San Antonio, TX 78219 • 210-310-7000 • 1-800-729-1500 • FAX 210-310-7250 • www.lancercorp.com
 "Lancer" is the registered trademark of Lancer Corporation • Copyright—2003 by Lancer, all rights reserved. "Coca-Cola" is a registered trademark of The Coca-Cola Company

38-2308-STD 03/03