

# LANCER



Optional Marquee



Optional Merchandiser



Splash Guards

Standard Performance Drop-In Dispenser

**ICD 2300**

## SPECIFICATIONS

### DIMENSIONS

Width: 23 in (584 mm)  
 Depth: 23 in (584 mm)  
 Height: 36.25 (921 mm)

**ELECTRICAL** 24VAC electrical system supplied using 115V transformer provided with dispenser (230V, 50/60Hz available)

**SPACE REQUIRED** Counter cut out for 23 x 23 is 23 1/4" x 23 1/4" (591 mm x 591 mm)

### SHIPPING WEIGHT

Approximately 260 lbs (118 kg)

**ICE CAPACITY** 100 lbs (45 kg)

### FITTINGS

Syrup and soda inlet: 3/8" male barb

### KEY LOCK SWITCH

### VALVES LEV®

### MANIFOLD CONFIGURATIONS

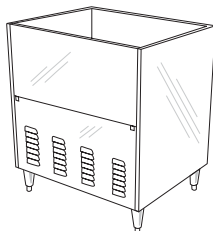
**Standard Performance Soft Plumb:**  
 5 Valve 2-1-2  
 6 Valve 3-1-2

**Warranty:** For warranty specifics by product, contact your Lancer Sales Representatives.



### CONVERSION STAND FOR 23" X 23"

- All stainless steel construction
- Front access panel
- 6" (152 mm) adjustable legs
- Allows quick and easy conversion from drop-in to free-standing unit
- Shipping weight: approximately 80 lbs (36 kg)



### 2300-23" x 23" Standard Performance

- Available with 5 or 6 valves in post-mix and pre-mix versions
- 100 lbs. ice capacity
- Stainless steel construction with sealed-in cold plate
- 3/4" drain with strainer to prevent ice blockage
- Ice bin and tower manifold insulated with CFC free structural foam
- Tower designed with removable splash plate for easy access to components
- Dispenser can accommodate any number of non-carbonated drinks
- Lighted graphics for maximum impact
- Optional top merchandiser, back marquee feature and splash guards

### DRAW PERFORMANCE

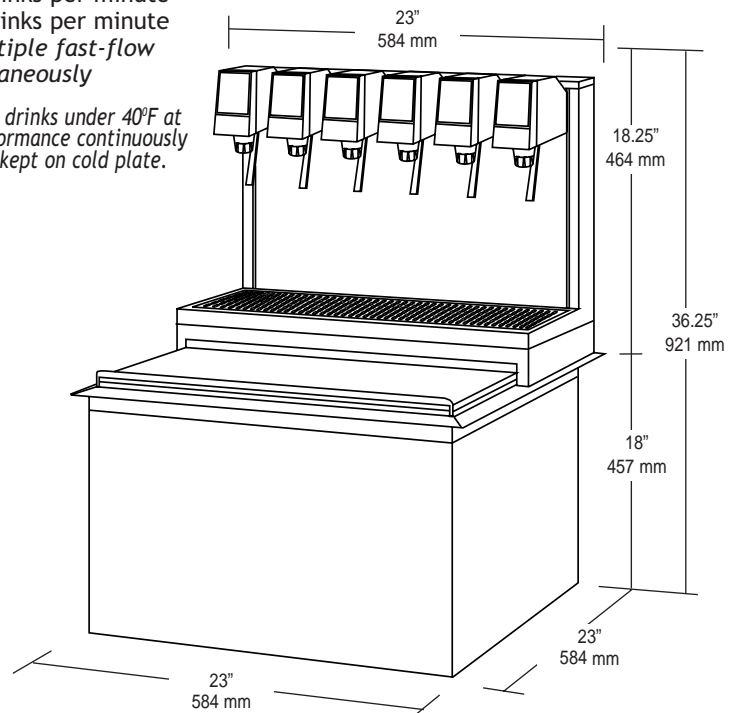
#### Standard Performance Cold Plate

**75°F Ambient Temperature**  
 12 oz./10 drinks per minute  
 24 oz./7 drinks per minute

**90°F Ambient Temperature**  
 12 oz./8 drinks per minute  
 24 oz./5 drinks per minute

*Supports Multiple fast-flow valves simultaneously*

*Units can supply drinks under 40°F at rated draw performance continuously as long as ice is kept on cold plate.*



# LANCER®

Equipment design and/or specifications may change without notice.

**CORPORATE OFFICE** 6655 Lancer Blvd • San Antonio, TX 78219 • 210-310-7000 • 1-800-729-1500 • FAX 210-310-7250 • www.lancercorp.com  
 "Lancer" is the registered trademark of Lancer Corporation • Copyright—2003 by Lancer, all rights reserved. "Coca-Cola" is a registered trademark of The Coca-Cola Company

38-2306-STD 03/03