

LANCER



Optional Marquee



Optional Merchandiser



Splash Guards

Standard Performance Drop-In Dispenser

ICD 2200

SPECIFICATIONS

DIMENSIONS

Width: 15 in (381 mm)
 Depth: 23 in (584 mm)
 Height: 33.375 (848 mm)

ELECTRICAL 24VAC electrical system supplied using 115V transformer provided with dispenser (220V, 50/60Hz available)

SPACE REQUIRED Counter cut out for 15 x 23 is 15 1/4" x 23 1/4" (387 mm x 591 mm)

SHIPPING WEIGHT
 Approximately 145 lbs (65.77 kg)

ICE CAPACITY 60 lbs (27.2 kg)

FITTINGS
 Syrup and soda inlet: 3/8" male barb

KEY LOCK SWITCH

VALVES LEV®

MANIFOLD CONFIGURATIONS

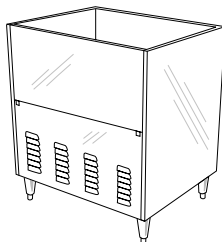
5 Valve 2-1-2
 6 Valve 3-1-2

Warranty: For warranty specifics by product, contact your Lancer Sales Representatives.



CONVERSION STAND FOR 15" X 23"

- All stainless steel construction
- Front access panel
- 6" (152 mm) adjustable legs
- Allows quick and easy conversion from drop-in to free-standing unit
- Shipping weight: approximately 80 lbs (36.28 kg)



2300-15" x 23" Standard Performance

- Available with 5 or 6 valves in post-mix and pre-mix versions
- 60 lbs. ice capacity
- Stainless steel construction with sealed-in cold plate
- 3/4" drain with strainer to prevent ice blockage
- Stainless steels flooded soda manifold and multiple plain water configuration
- Ice bin and tower manifold insulated with CFC free structural foam
- Tower designed with removable splash plate for easy access to components
- Optional top merchandiser and back marquee feature lighted graphics for maximum impact and splash guards

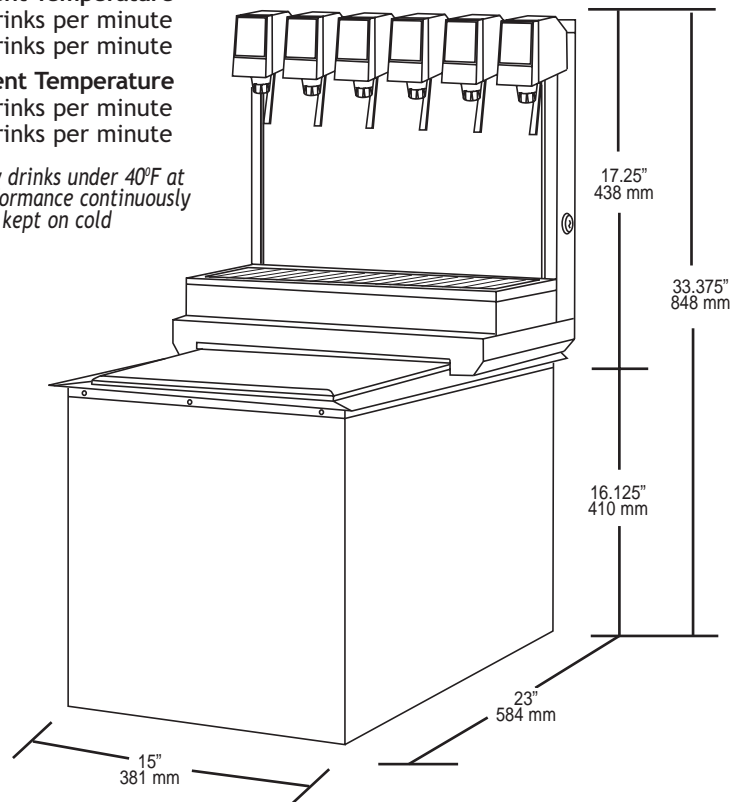
DRAW PERFORMANCE

Standard Performance Cold Plate

75°F Ambient Temperature
 12 oz./6 drinks per minute
 24 oz./4 drinks per minute

90°F Ambient Temperature
 12 oz./4 drinks per minute
 24 oz./3 drinks per minute

Units can supply drinks under 40°F at rated draw performance continuously as long as ice is kept on cold plate.



LANCER®

Equipment design and/or specifications may change without notice.

CORPORATE OFFICE 6655 Lancer Blvd • San Antonio, TX 78219 • 210-310-7000 • 1-800-729-1500 • FAX 210-310-7250 • www.lancercorp.com
 "Lancer" is the registered trademark of Lancer Corporation • Copyright—2003 by Lancer, all rights reserved. "Coca-Cola" is a registered trademark of The Coca-Cola Company

38-2206-STD 03/03